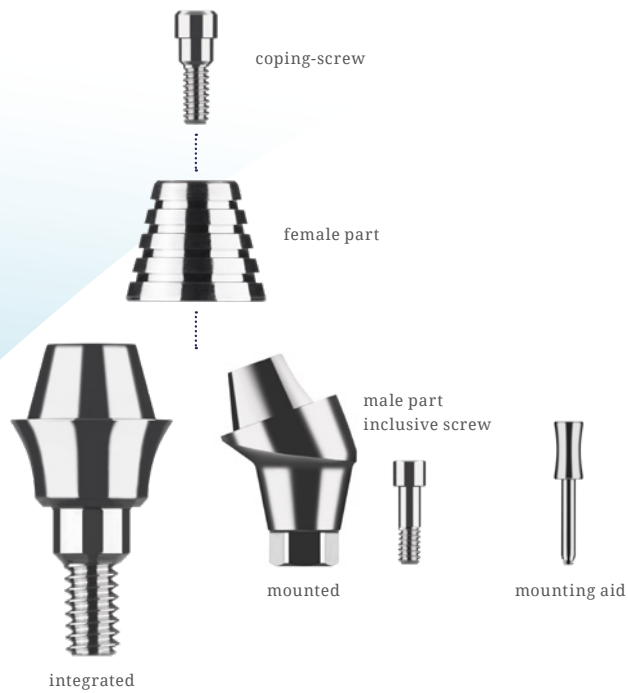


2-CONNECT[®]

*Angle compensation
for divergent implants
available in different
gingiva heights and
angled version*



BENEFITS:

- self - centering conical connection
- maximum flexibility of divergent implant positions
- stressless fitting by optional adhesive connection (female part)
- force application caused by tube shape and integrated screw (Straight Abutment) or mounted screw (Angled Abutment)
- female part compatible between the different implant systems and diameters



APPLICATION:

- bars
- bridges
- non-engaging structures



TECHNICAL DETAILS:

- Titanium Grade 5 ELI



Abutment (Male part) on 2-CONnect®

*Male = screwed



Coping (Female part) on 2-CONnect®

*Female = glued